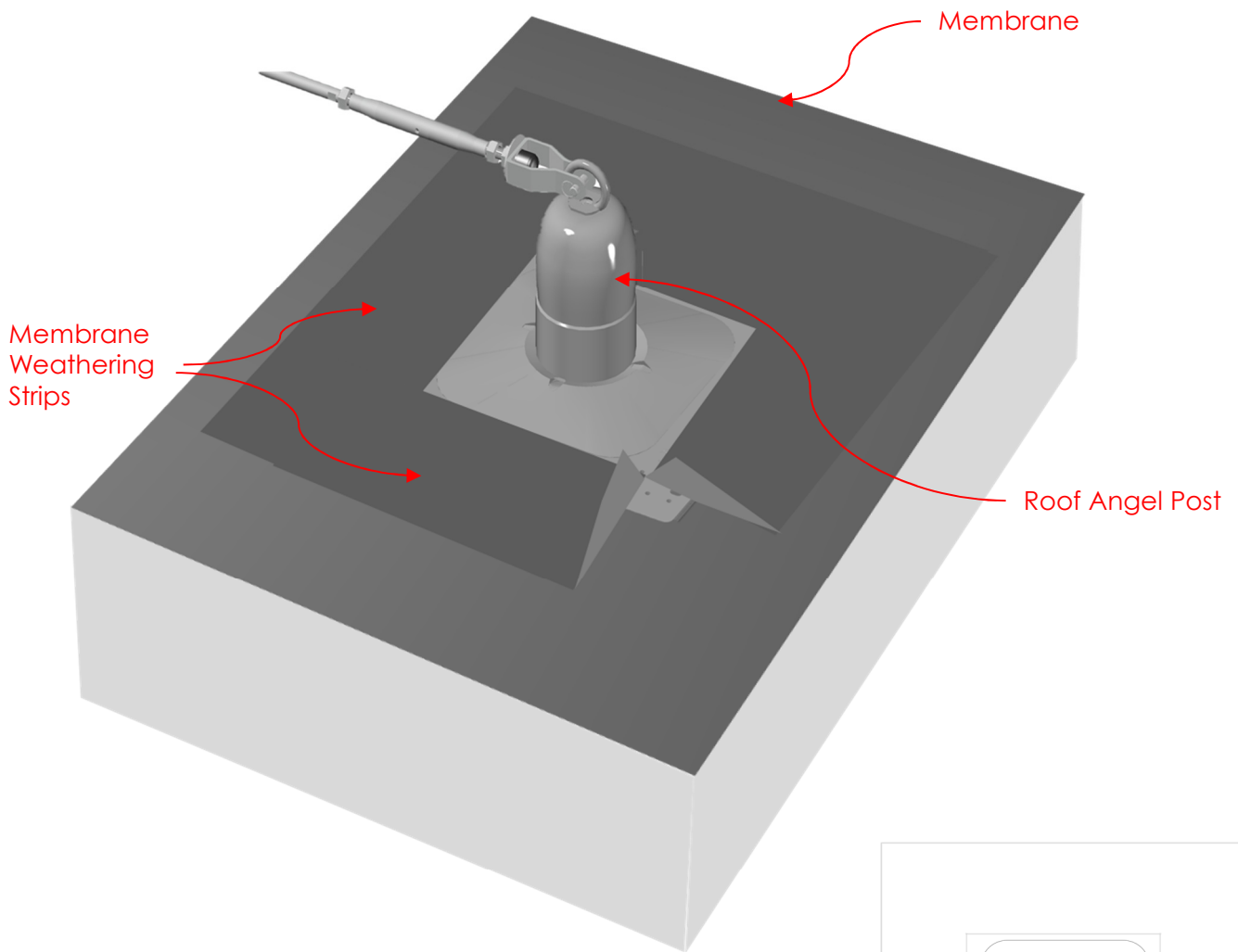




Roof AngelTM

Membrane Roofing Systems: Sealing Detail

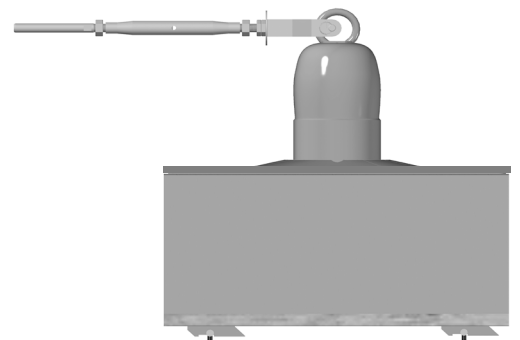
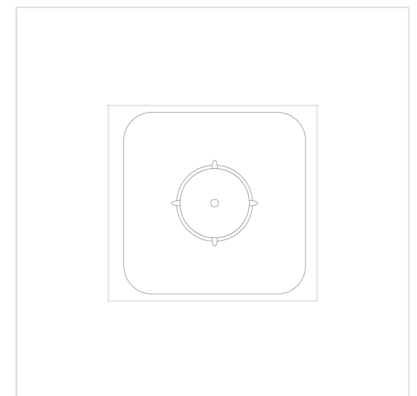
May 2018
Revision 1.2



To be completed by an authorised roofing contractor in line with manufacturers requirements

1. Install the Roof Angel Post as per the installation instructions
2. Lay a sacrificial pad of membrane over each toggle bolt top to protect the sealing strips
3. Using strips of the membrane used for the roof seal to the base plate following the requirements for the particular membrane,

Note: When using the RA-1001A uncoated base plate a priming solution may be required.

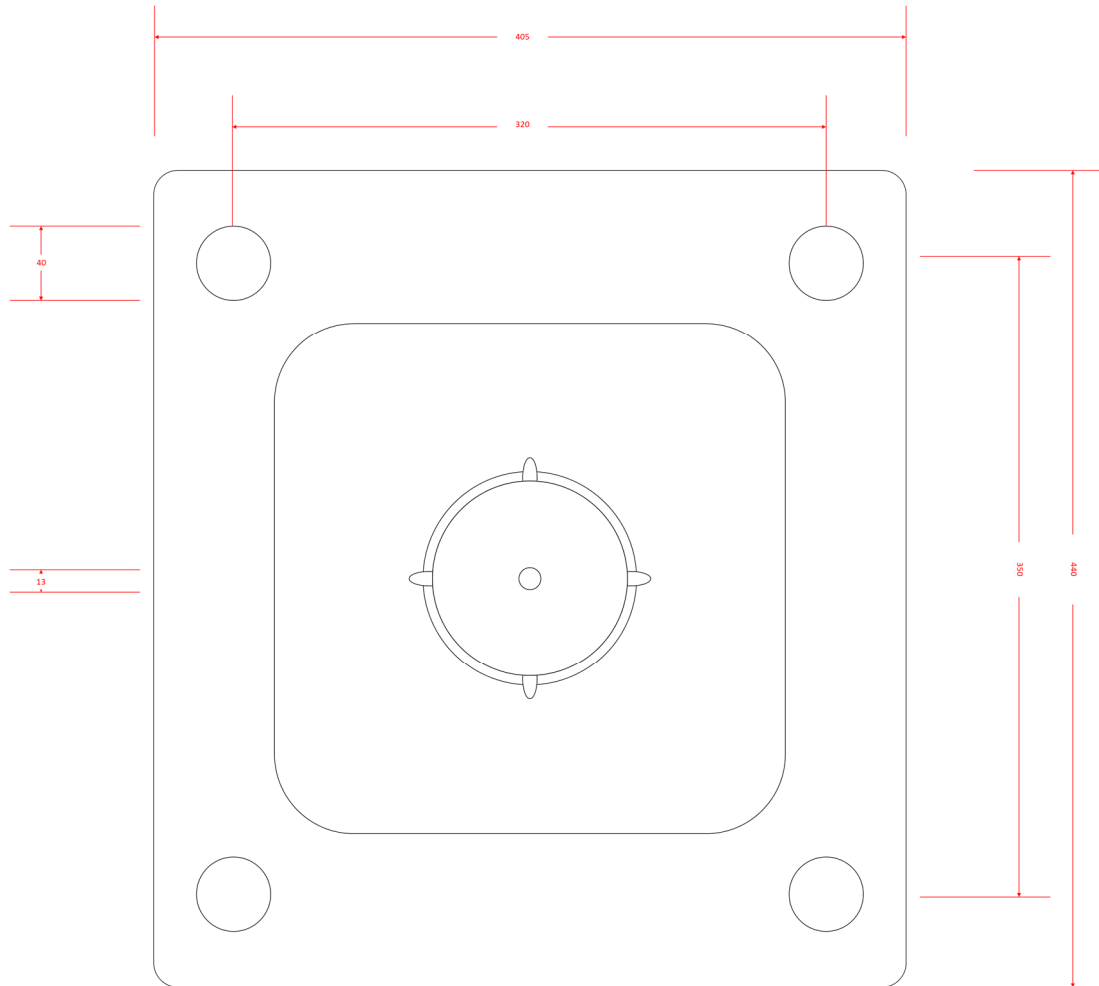


RA-1010

Base Plate PVC PC80 coated
333/400

This is the plate for use with intermediate or end/corner modules.

For Installation on
Membrane
Concrete Deck



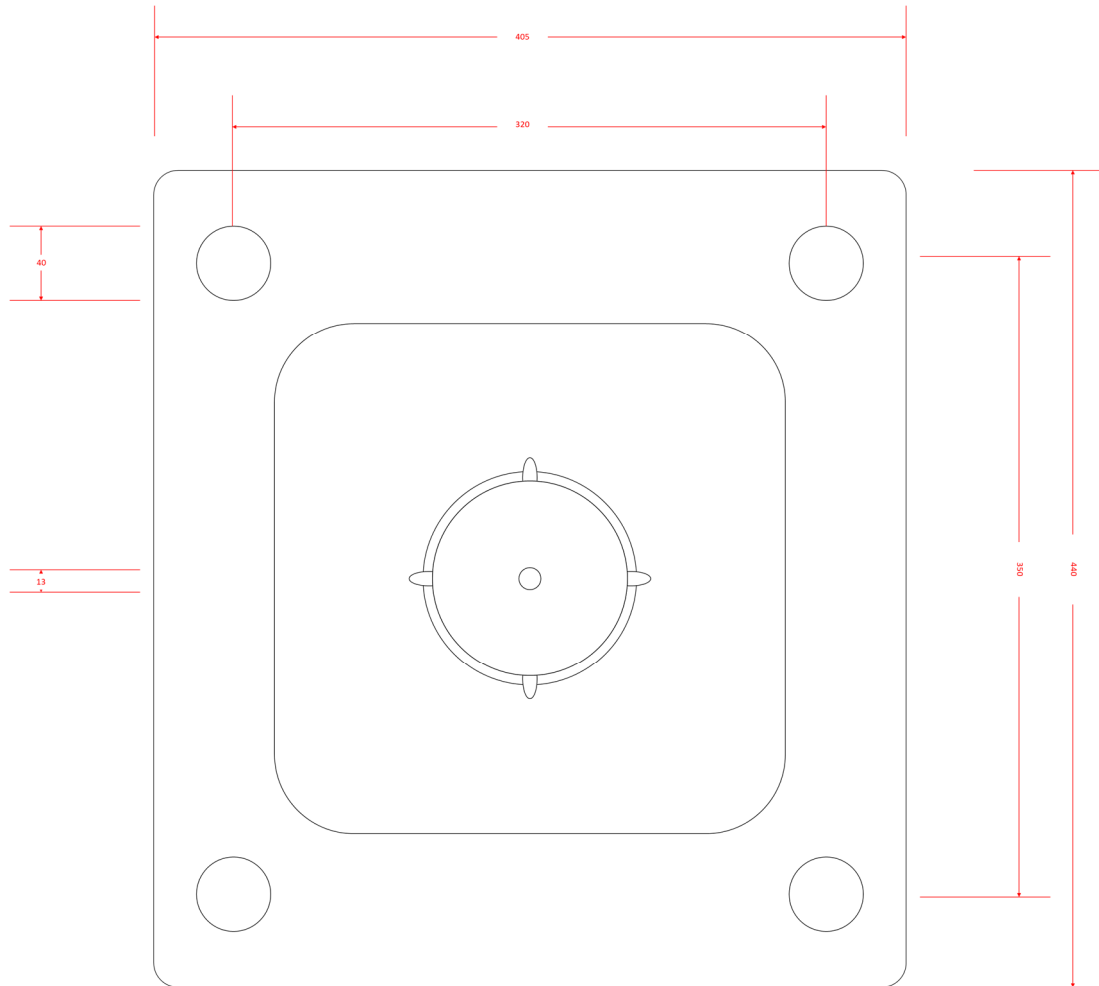
Material	Aluminium, PVC (PC80)
Breaking Strength	37kN
Testing Standard	Component for EN795:2012 Type C & A
Unit Weight	
Drawing Revision Date	

RA-1010A

Base Plate

This is the plate for use with intermediate or end/corner modules.

For Installation on
Membrane
Concrete Deck



Material	Aluminium, PVC (PC80)
Breaking Strength	37kN
Testing Standard	Component for EN795:2012 Type C & A
Unit Weight	
Drawing Revision Date	



UK
Riverside
Mountbatten Way
Congleton
Cheshire
CW12 1DY
United Kingdom

† | + 44 (0) 1260 217 437

NETHERLANDS
Azewijnseweg 12 SF
4214 KC Vuren
The Netherlands

† | + 31(0) 183 820 280

info@bettersafeinternational.com
www.bettersafeinternational.com

