



T-LINE SAFETY SYSTEM

Specifications

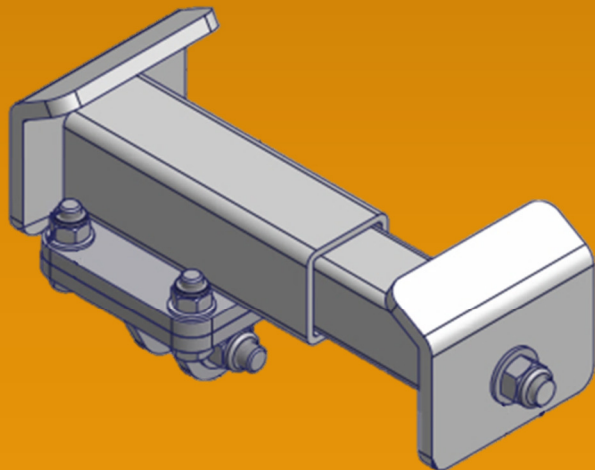
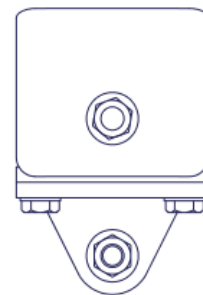
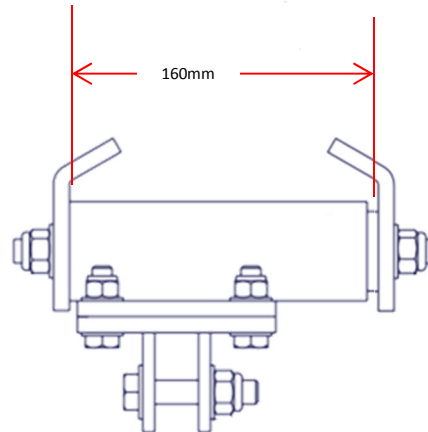
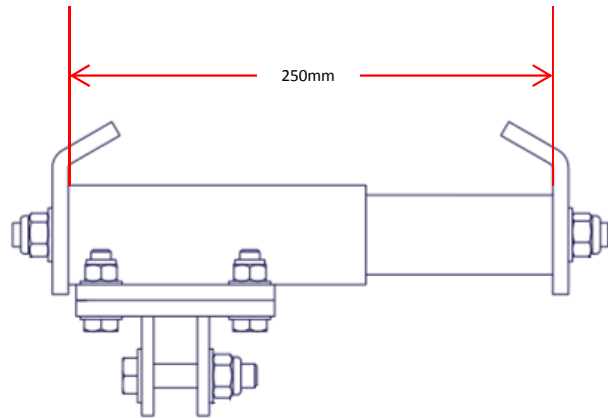


ANCHOR CLAMP

MAXIMUM BEAM SIZE	250mm
MINIMUM BEAM SIZE	160mm
BREAKING STRENGTH	19kN

Conforms to EN795

BEAM DIMENSIONS



Bettersafe International BV, Azewijnseweg 12 SF, 4214 KC
Vuren, The Netherlands

t | + 31(0) 183 820 280
e | info@bettersafeinternational.com
w | www.bettersafeinternational.com