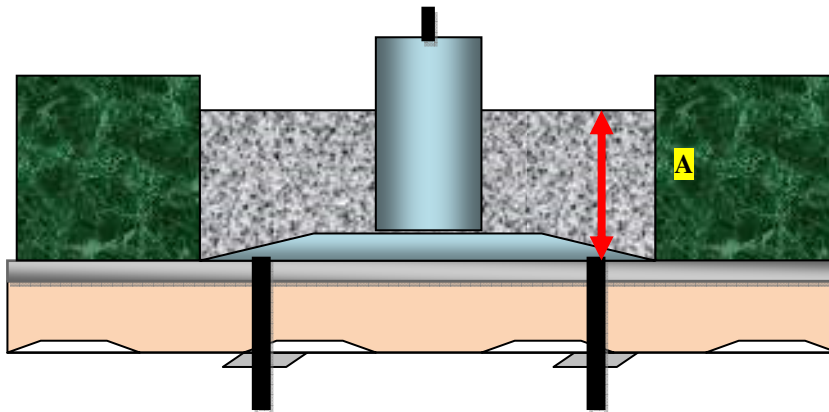


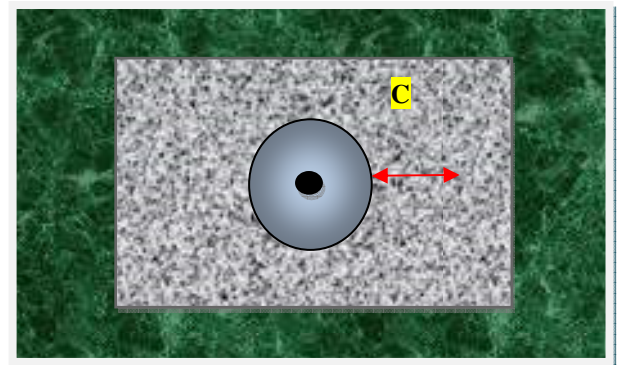
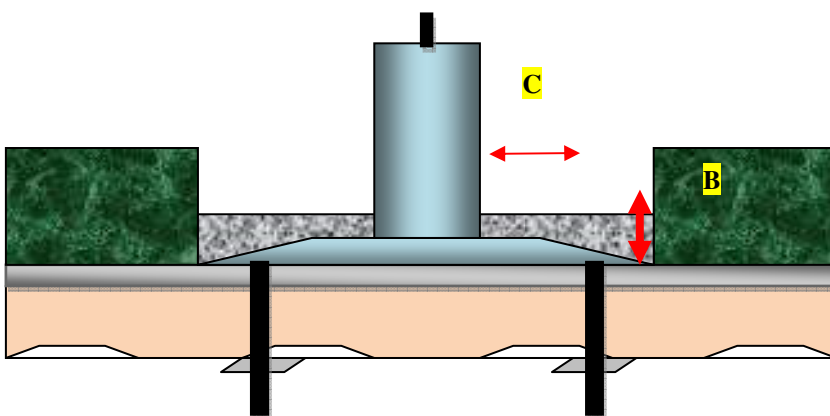
Technical Bulletin

Re: GREEN ROOF APPLICATIONS

1. If the system is designed for restraint applications and the loads are below the threshold of the posts tipping (4kN), gravel ballast can be added to any depth up to 200mm (A).



2. If the system is designed for fall arrest, or the restraint loads are above the threshold of the posts tipping (4kN), the gravel ballast is limited to 40mm (B) within a radius of 350mm (C) from the centre of the post. The gravel ballast can be as deep as desired outside of this 350mm circle.



3. A thickness of 200mm (D) of soil and green roofing material would be allowed provided it is further than 350mm from the centre of the post.

