

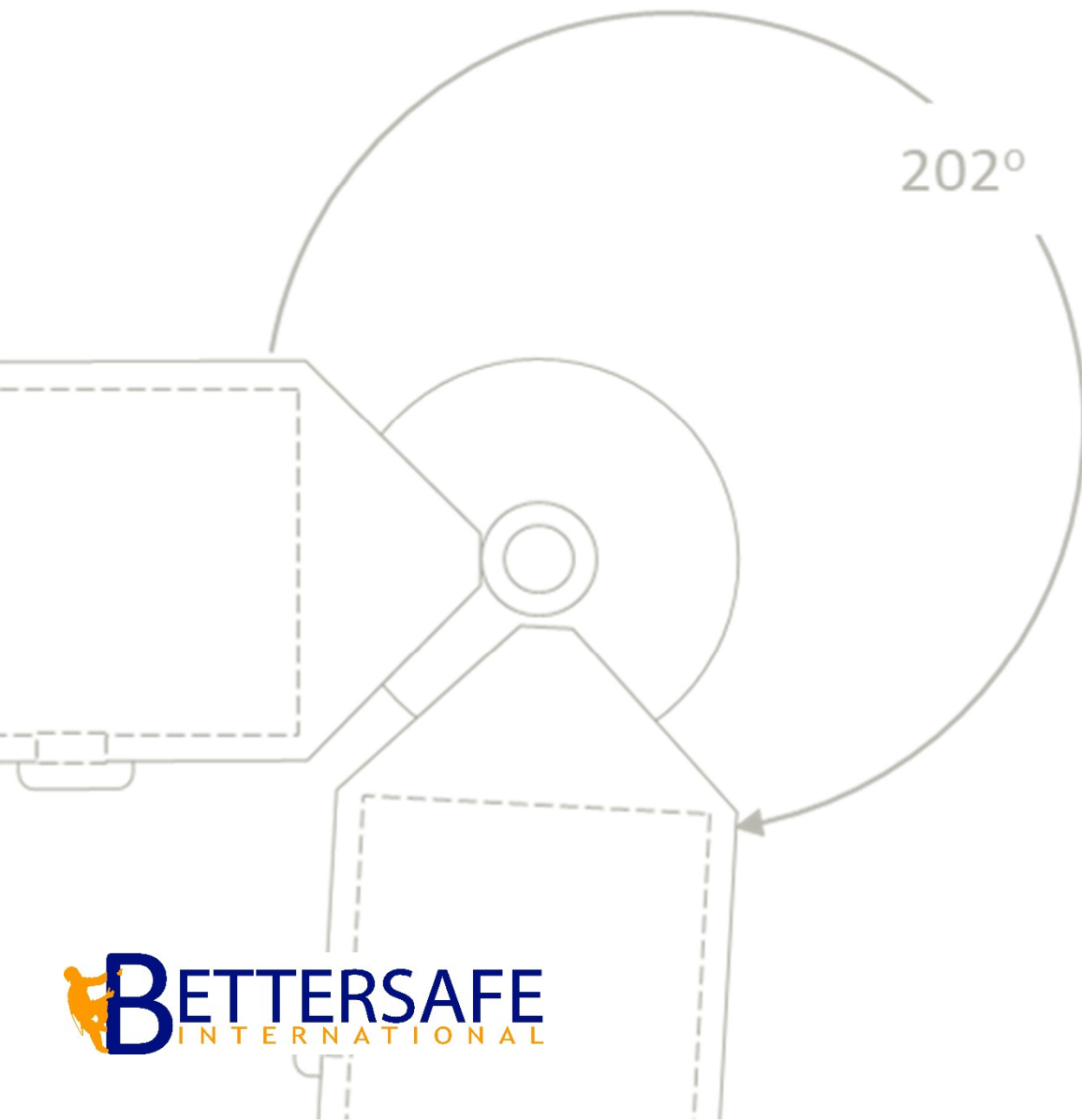
GuardAngel™

GUARD RAIL PROTECTION SYSTEM

Technical Manual

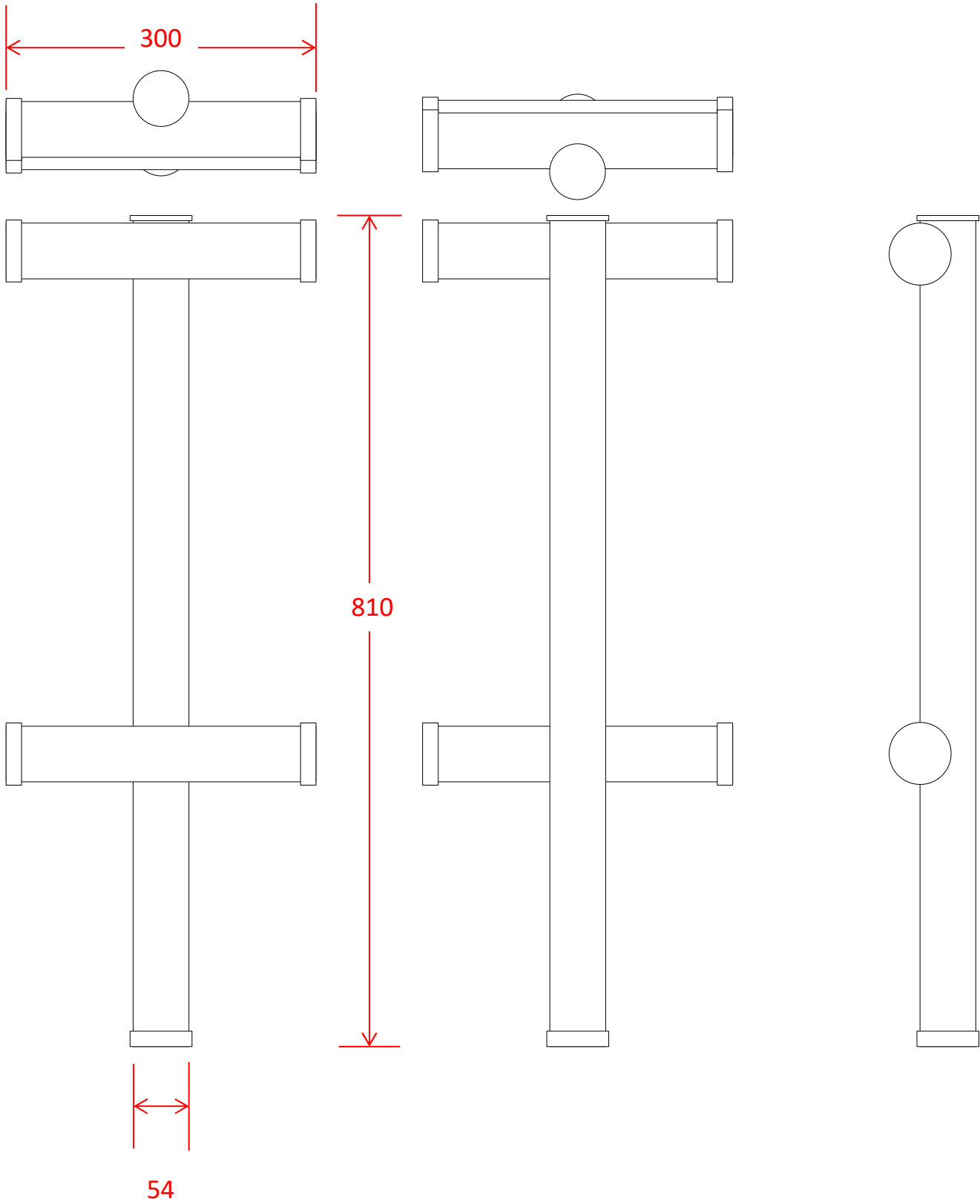
March 2020

Revision 2.0



GA-014 Upper Leg

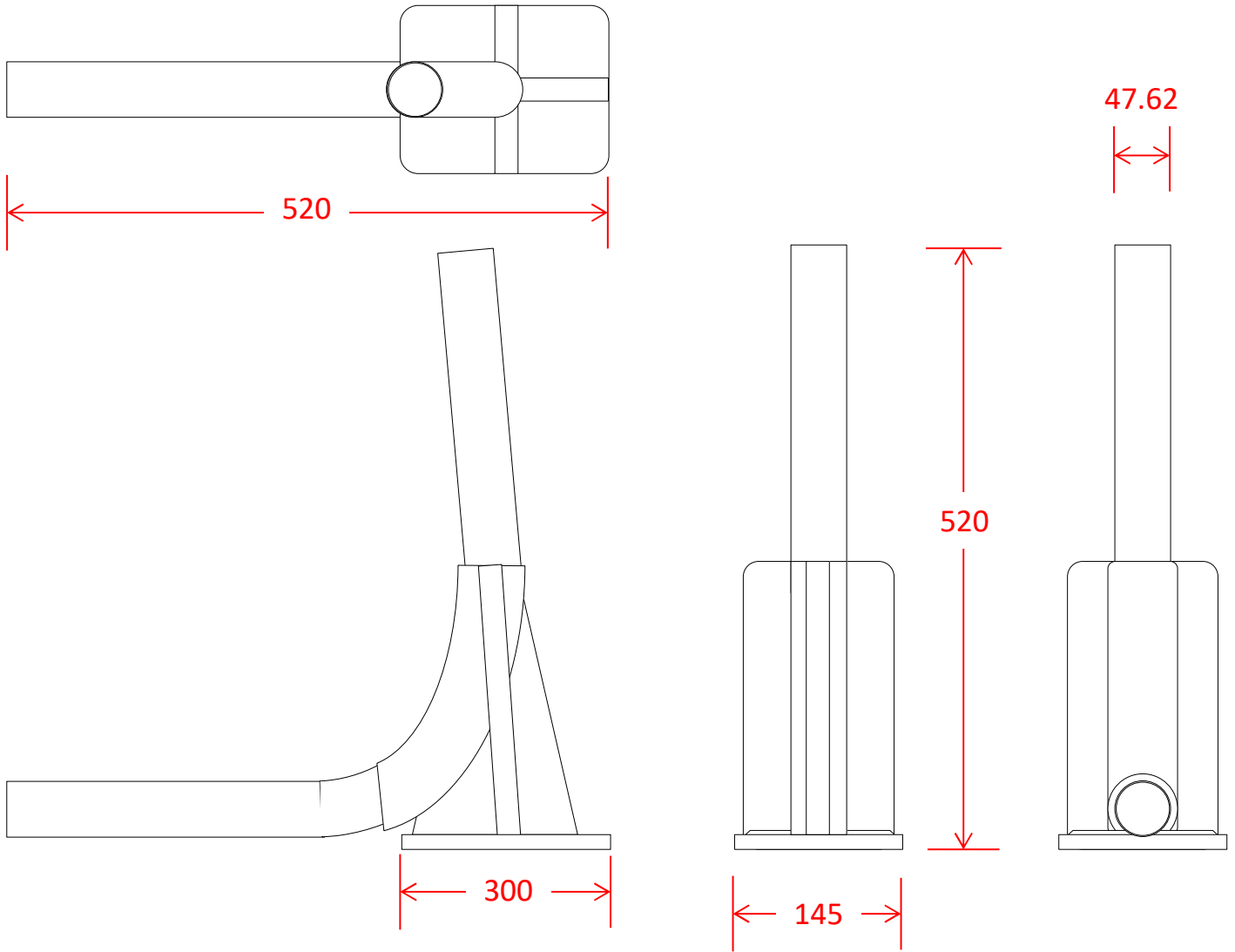
All Systems



Material	MAGNATube: Mild Steel with zinc/aluminium/magnesium coating
Testing Standard	Component for EN13374, EN14122-3
Unit Weight	3.51 kg

GA-026 Lower Leg

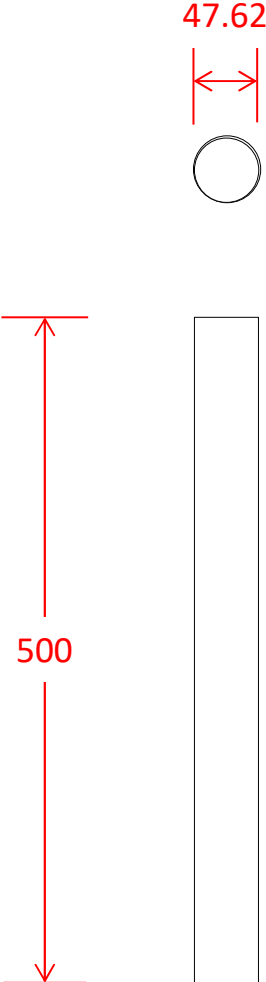
Free Standing



Material	MAGNATube: Mild Steel with zinc/aluminium/magnesium coating & Recycled PVC
Testing Standard	Component for EN13374, EN14122-3
Unit Weight	4.09 kg

GA-011 Lower Leg

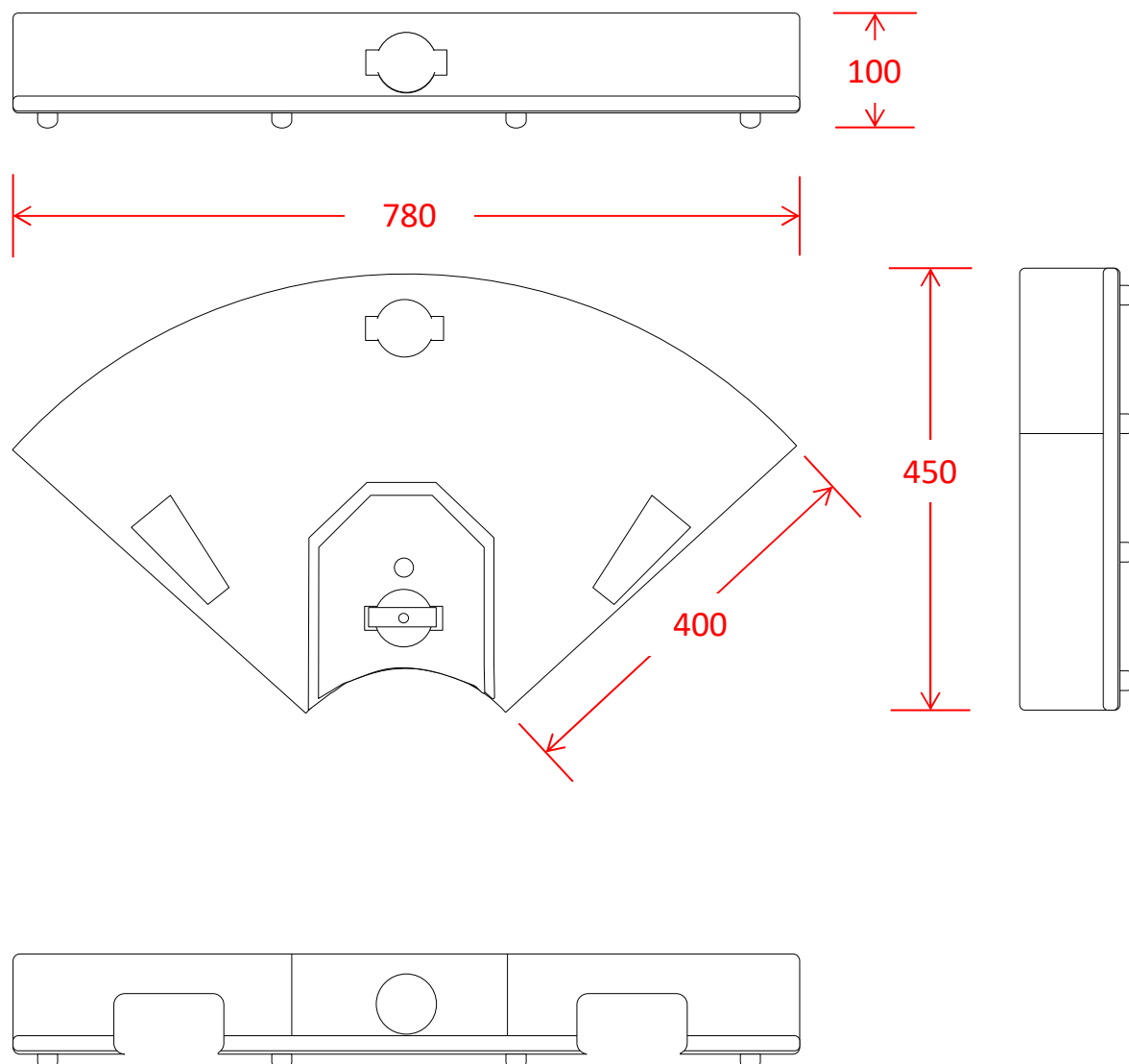
Top Fix Systems



Material	MAGNATube: Mild Steel with zinc/aluminium/magnesium coating
Testing Standard	Component for EN13374, EN14122-3
Unit Weight	0.08 kg

GA-002 Counter Weight

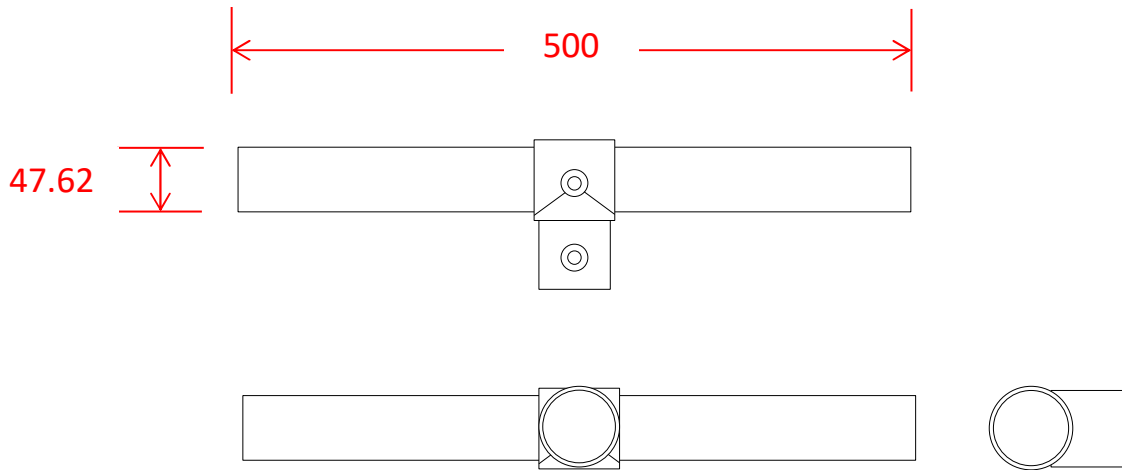
Free Standing



Material	Recycled PVC
Testing Standard	Component for EN13374, EN14122-3
Unit Weight	23.00 kg

GA-006 Double Weight Connector

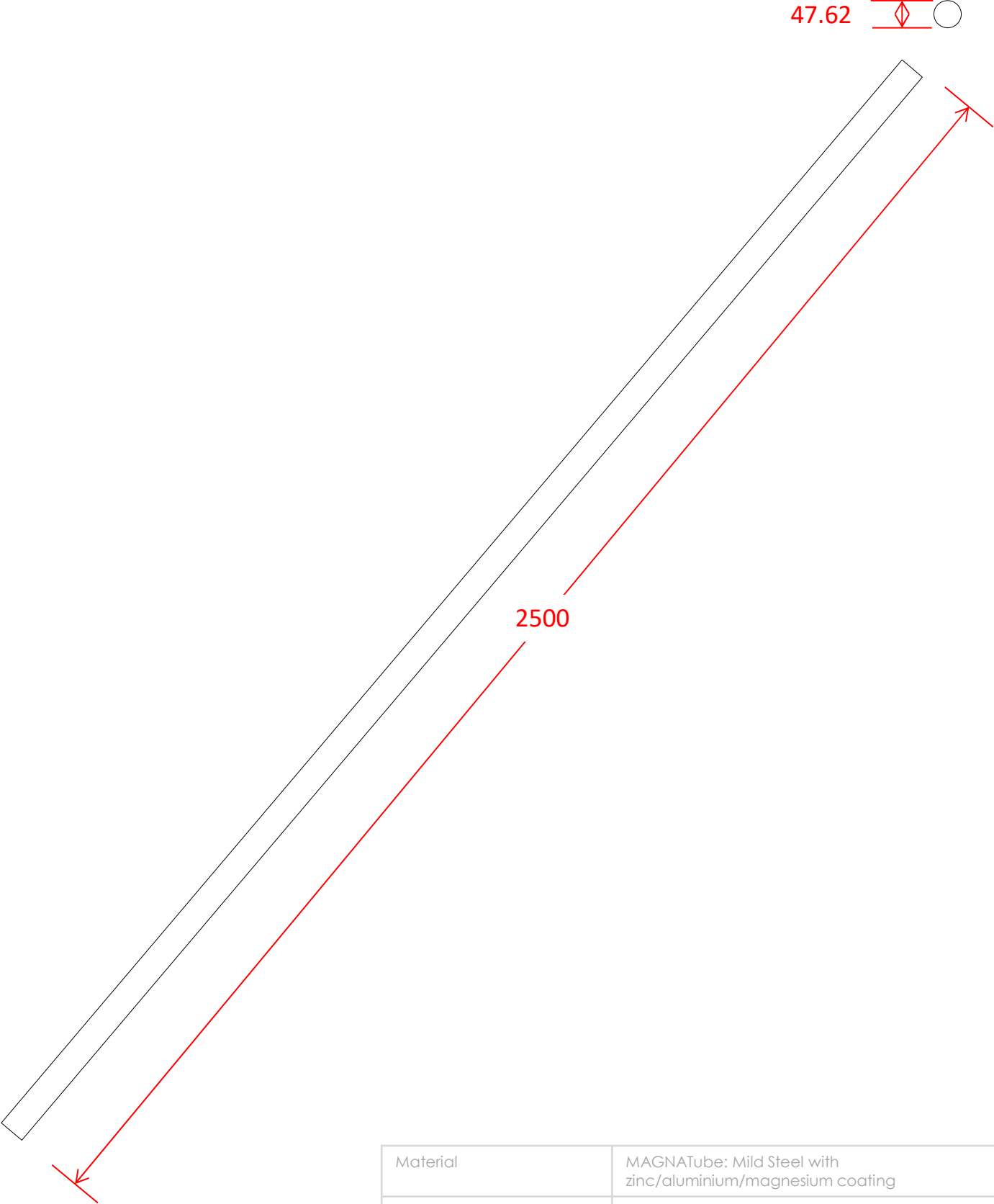
Free Standing



Material	MAGNATube: Mild Steel with zinc/aluminium/magnesium coating & Mild Steel with HDG Coating
Testing Standard	Component for EN13374, EN14122-3
Unit Weight	1.35 kg

GA-003 Cross Rail

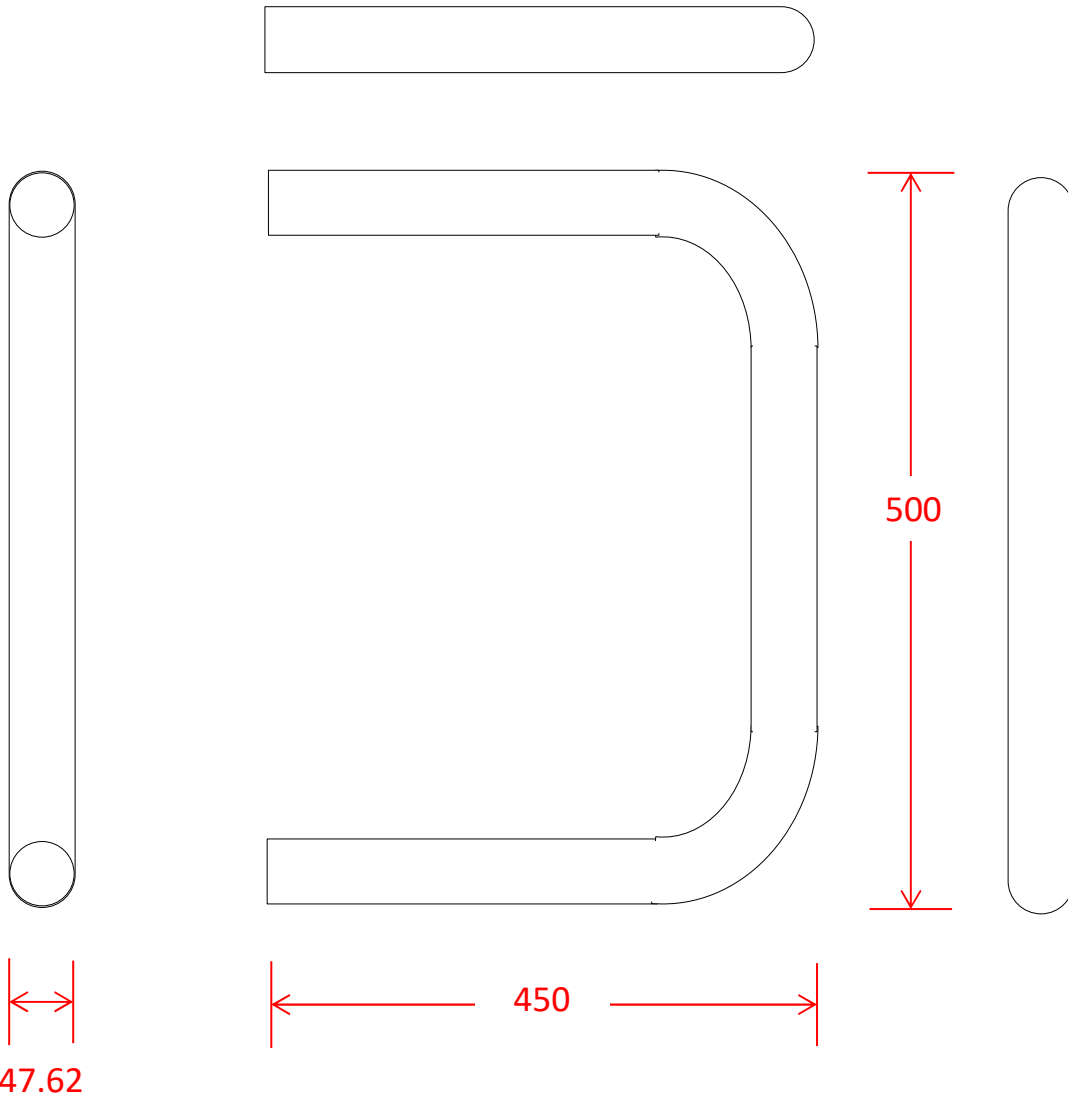
All Systems



Material	MAGNATube: Mild Steel with zinc/aluminium/magnesium coating
Testing Standard	Component for EN13374, EN14122-3
Unit Weight	3.99 kg

GA-005 D-End

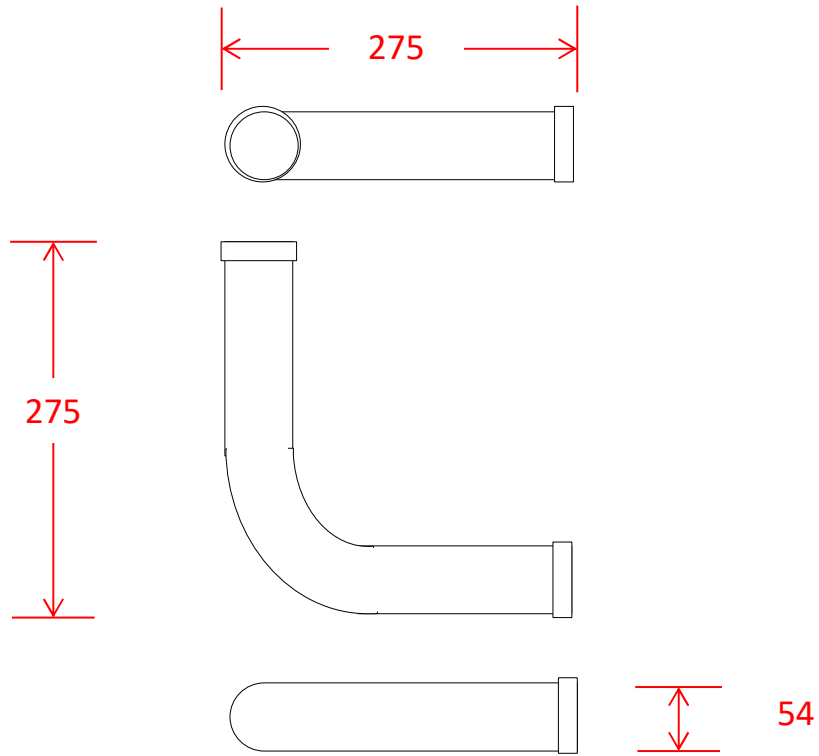
All Systems



Material	MAGNATube: Mild Steel with zinc/aluminium/magnesium coating
Testing Standard	Component for EN13374, EN14122-3
Unit Weight	1.91 kg

GA-004 90 Degree Corner

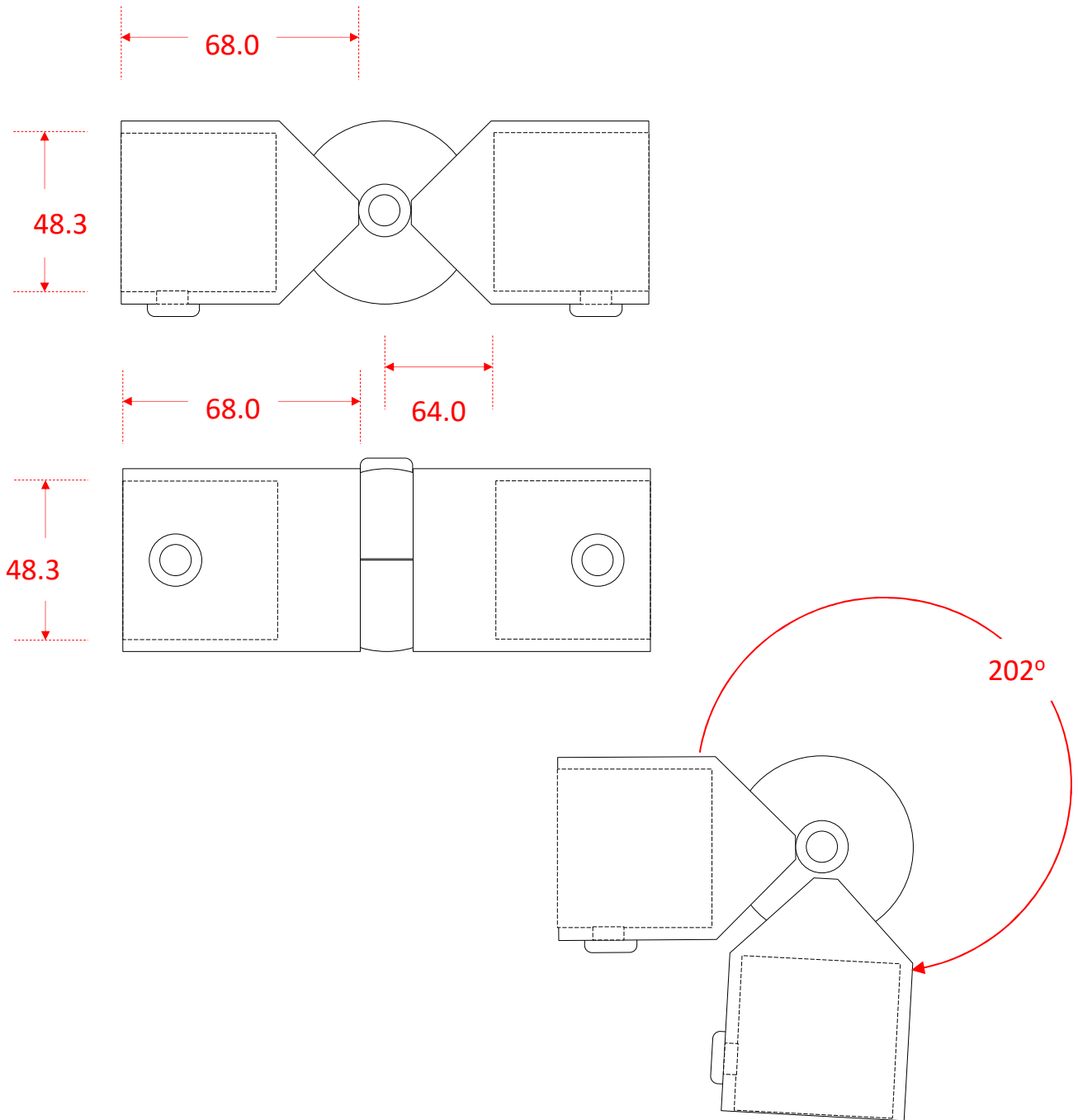
All Systems



Material	MAGNATube: Mild Steel with zinc/aluminium/magnesium coating
Testing Standard	Component for EN13374, EN14122-3
Unit Weight	1.23 kg

GA-007 Variable Corner

All Systems

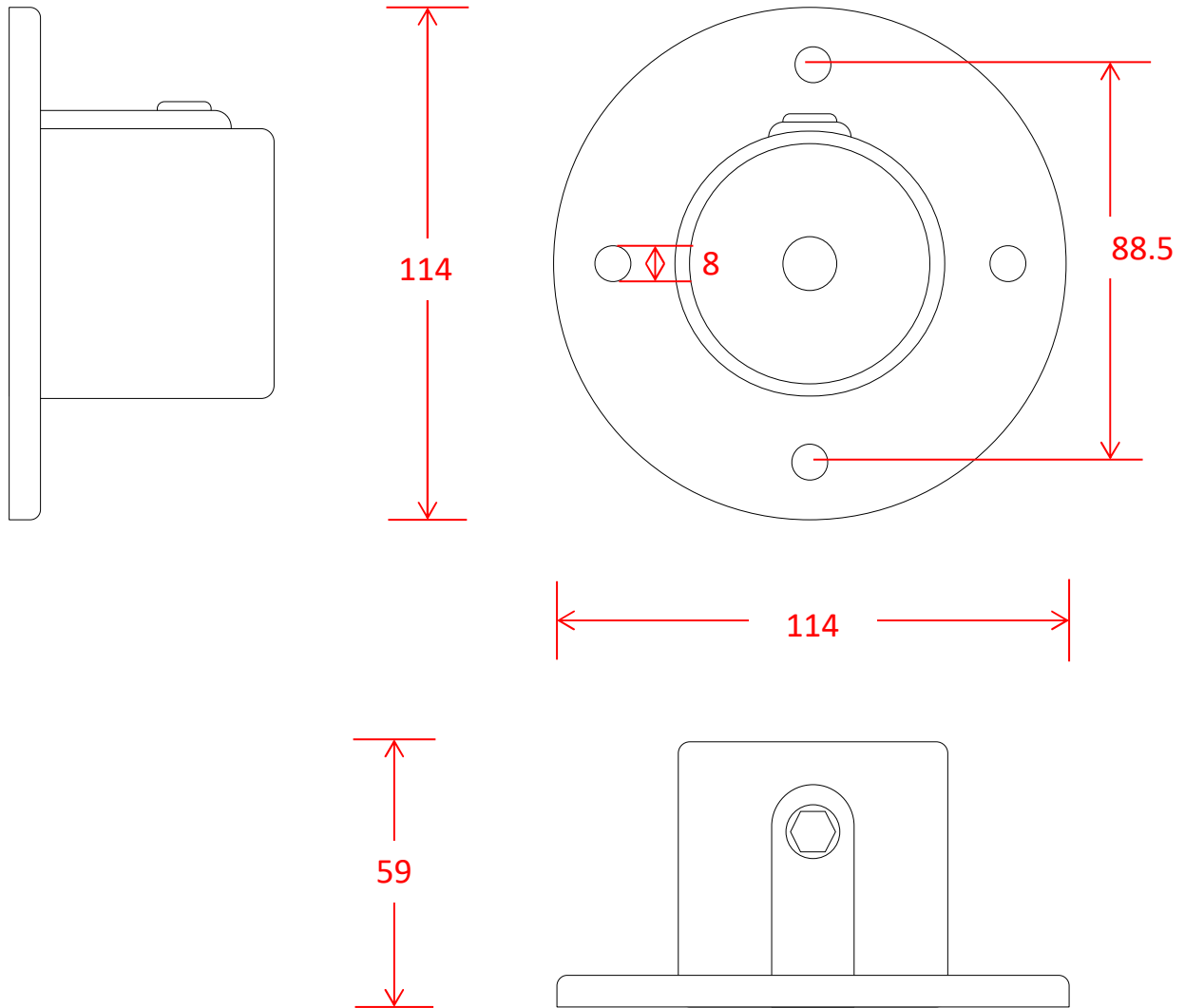


Material	Mild Steel with HDG Coating
Testing Standard	Component for EN13374, EN14122-3
Unit Weight	1.05 kg

GA-010 Leg Foot

Top Fix Systems

Used with RA-1007 assembled to form GA-012, or as wall end mount

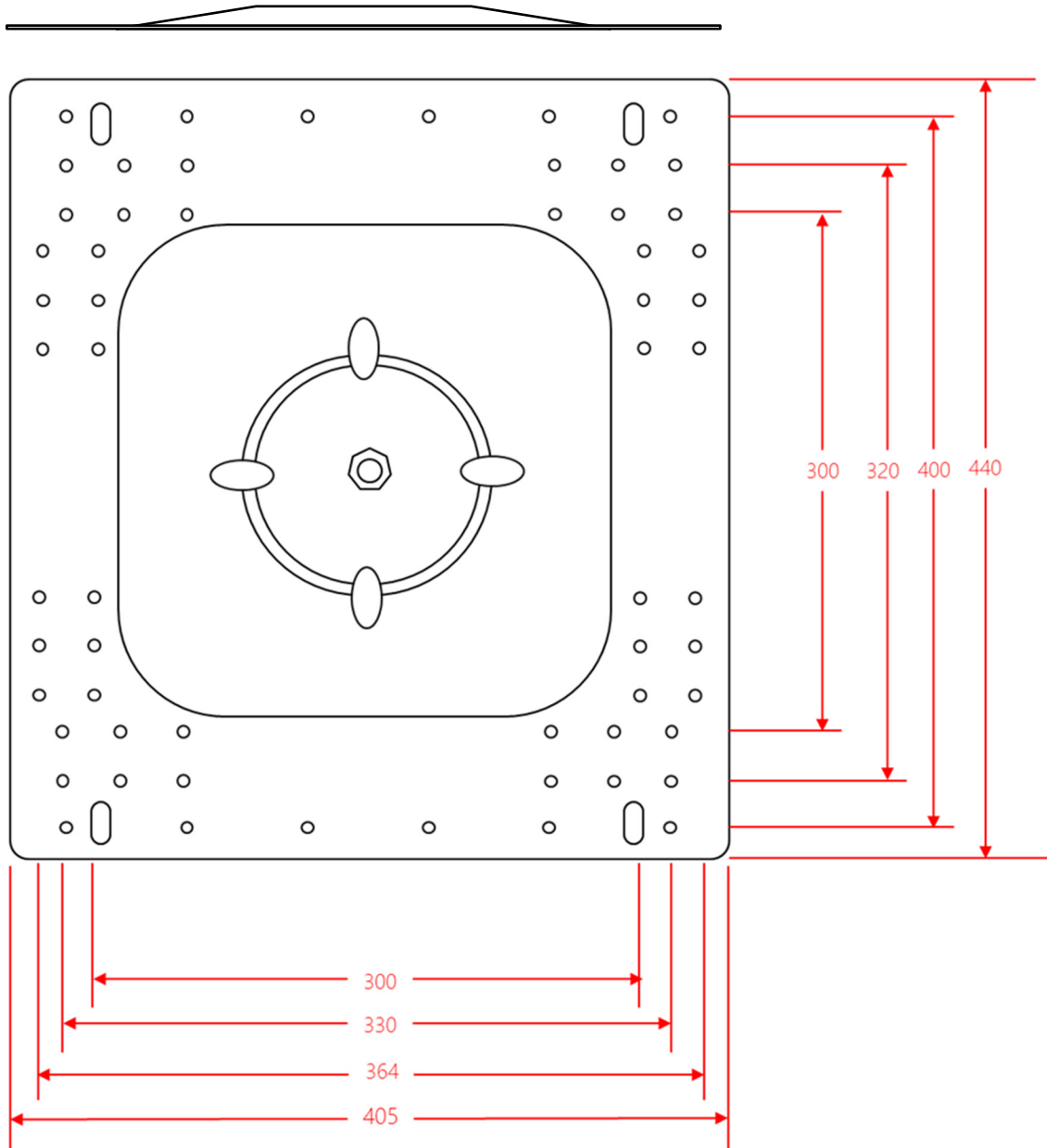


Material	Mild Steel with HDG Coating
Testing Standard	Component for EN13374, EN14122-3
Unit Weight	0.84 kg

RA-1007 Base Plate

Top Fix Systems

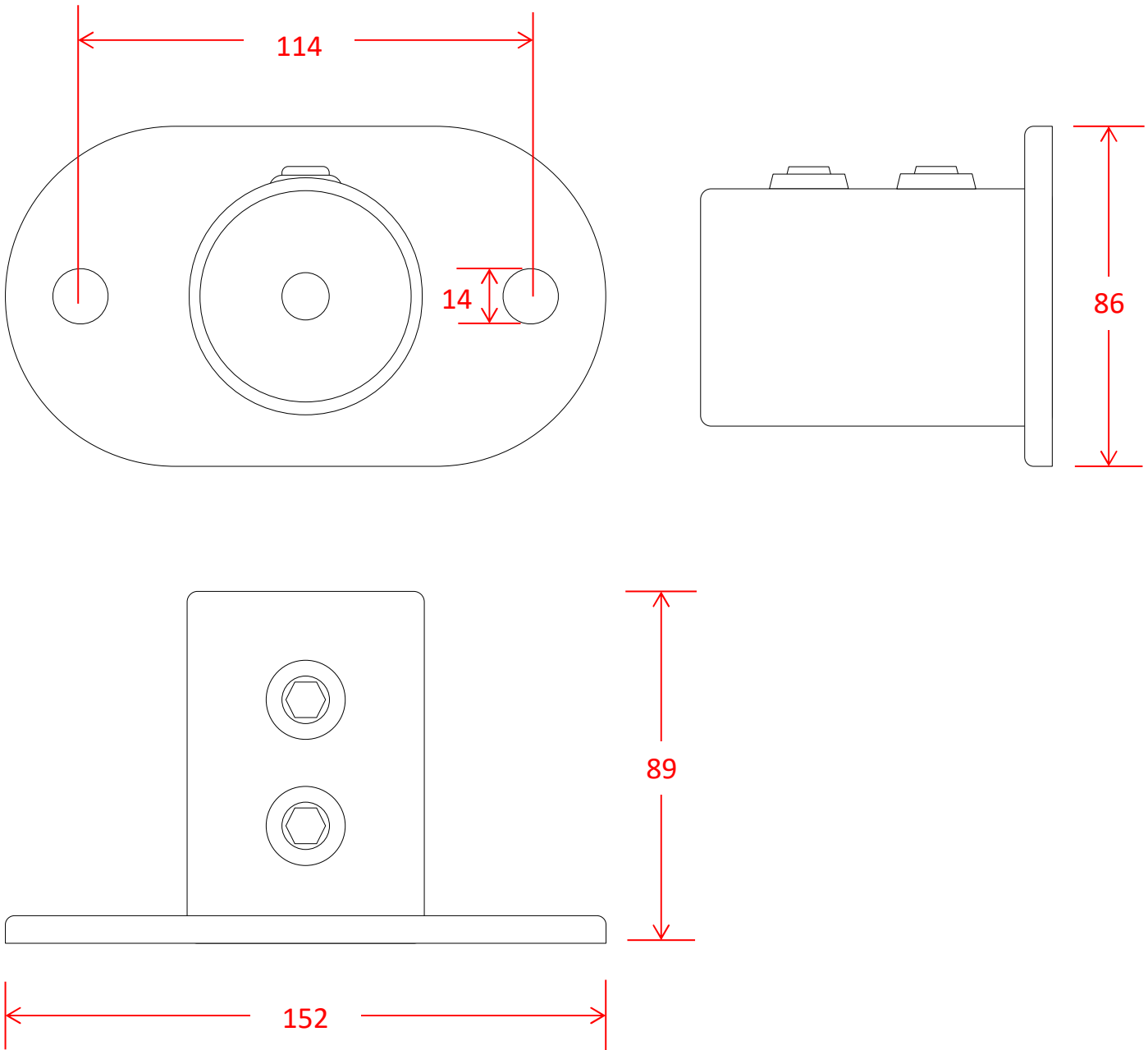
Used with GA-010 assembled to form GA-012



Material	Aluminium
Testing Standard	Component for EN13374, EN14122-3
Unit Weight	1.47 kg

GA-009 Fixed Foot

Concrete Deck Systems



Fixings for concrete or similar fixing are not supplied.

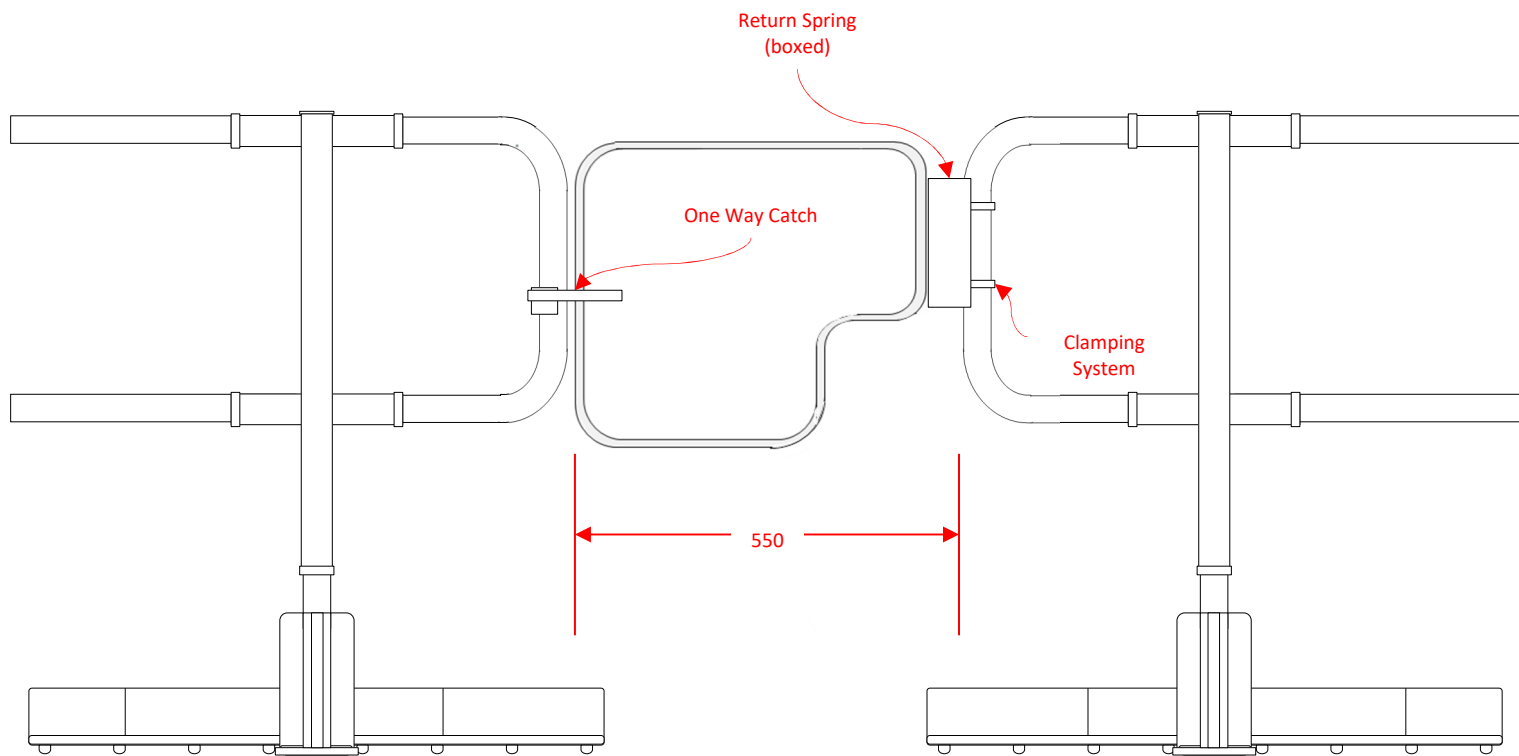
Fixings should be selected in accordance with the loading required and also the material into which the system is being installed.

Load applied to the Fixed Foot = 4kN in each direction
 Load required per fixing = 2kN

Material	Mild Steel with HDG Coating
Testing Standard	Component for EN13374, EN14122-3
Unit Weight	1.15 kg

GA-008 Self Closing Gate

All Systems



Material	Mild Steel with HDG Coating
Testing Standard	Component for EN13374, EN14122-3
Unit Weight	1.90 kg



NETHERLANDS

Azewijnseweg 12 SF

4214 KC

Vuren

UK

Riverside, Mountbatten Way

Congleton

Cheshire, CW12 1DY

t | + 31(0) 183 820 280

t | + 44 (0) 1260 217 437

info@bettersafeinternational.com

www.bettersafeinternational.com