



HORIZONTAL LIFELINE SYSTEM

Post Absorption & Activation

Surface Mounted Systems

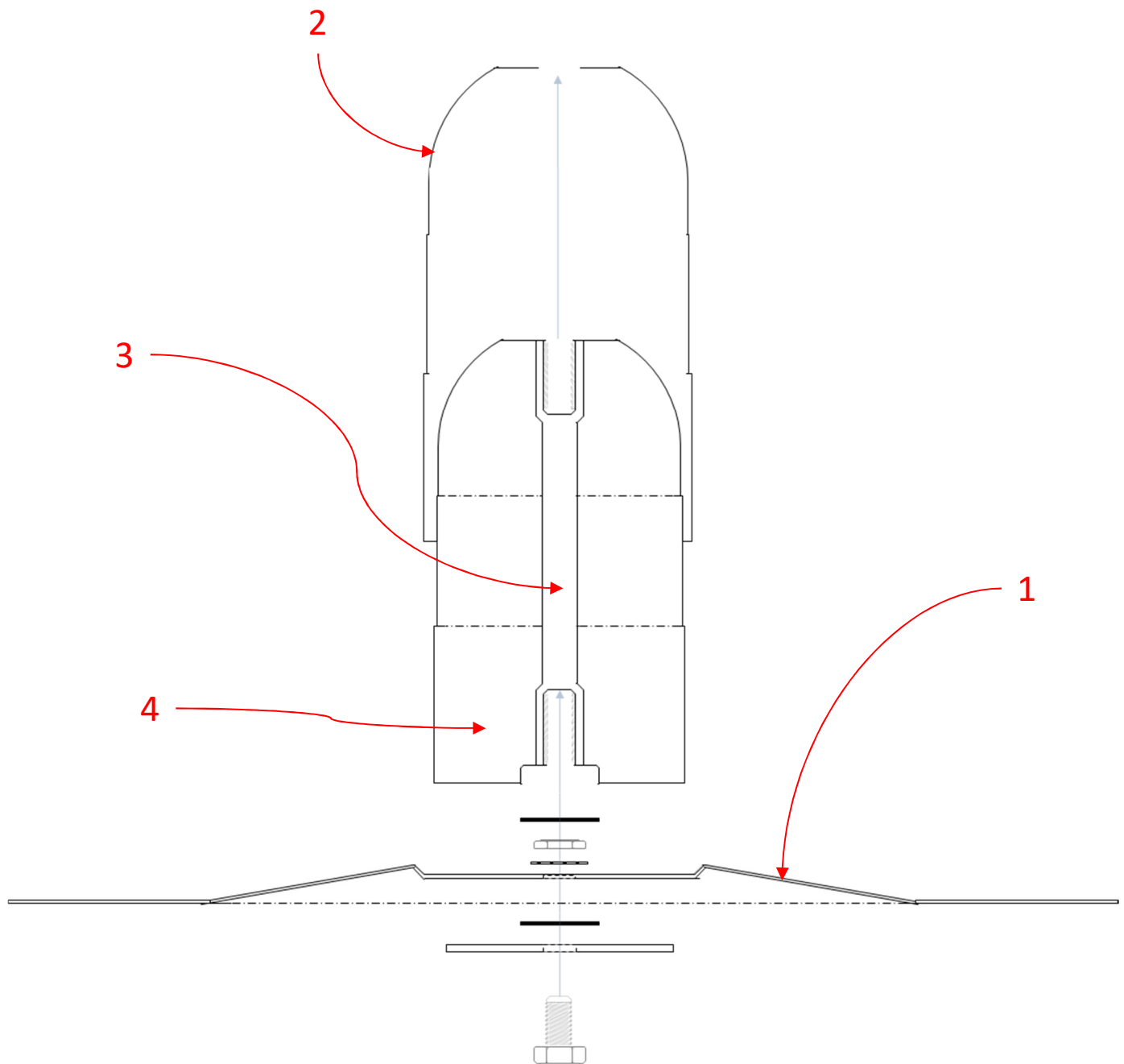
March 2019

How does the Roof Angel Post absorb forces?

Roof Angel Surface Mount shown for example purposes.

The Roof Angel Surface Mounted Post has a 4 layer absorption system.

1. Plastic Deformation Absorption of the Base Plate
2. Plastic Deformation Absorption of the External Can
3. Plastic Deformation Absorption of the Stainless Steel Inner Support
4. Compression Absorption of the Polyurethane.

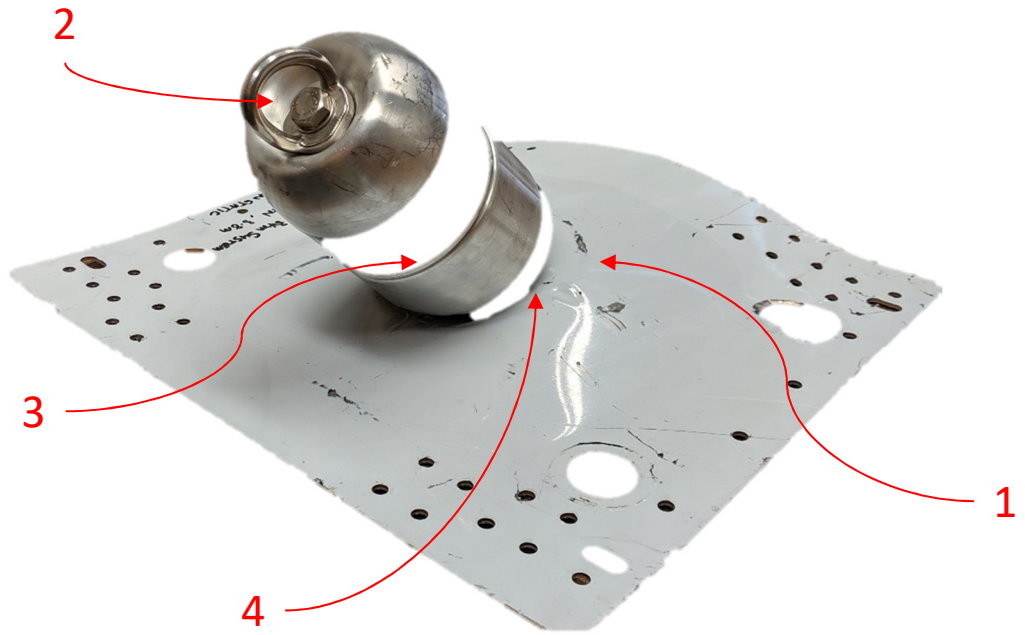


How does the Roof Angel Post absorb forces?

Roof Angel Surface Mount shown for example purposes.

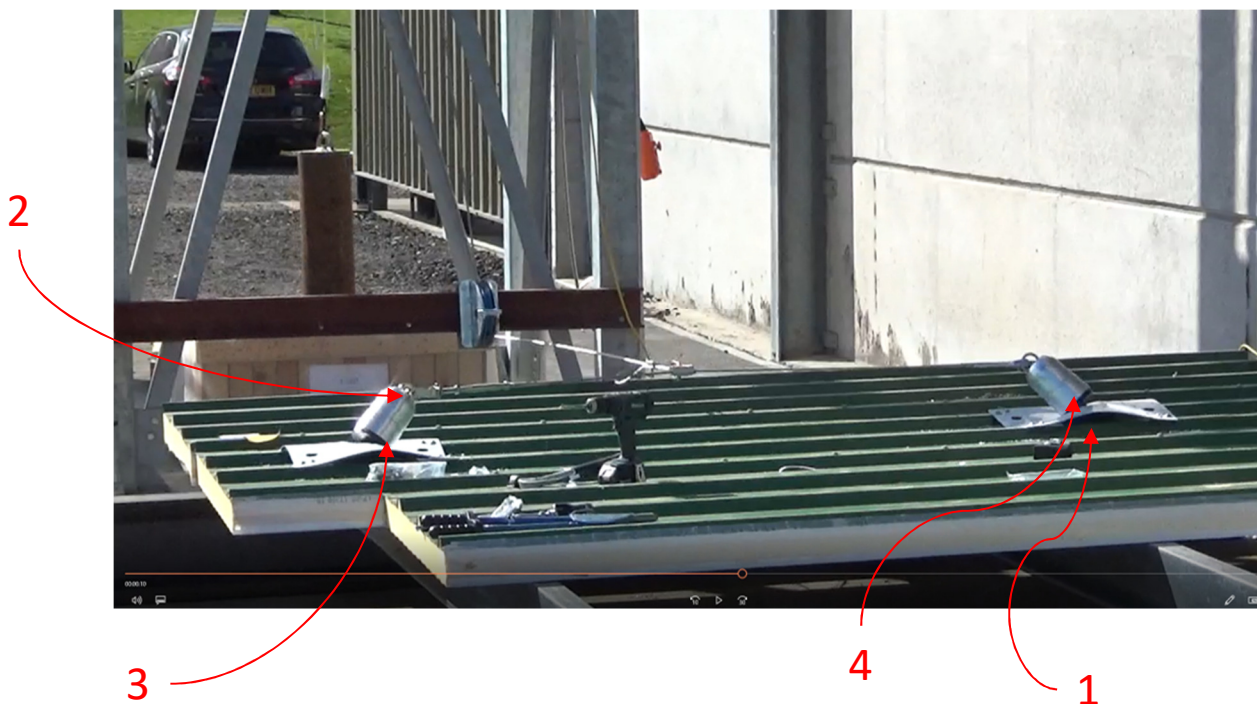
Example Post from test with:

- 15m Span
- 3.8m Drop of 200kg
- 15kN Static Load



Example from test with:

- 2m Span
- 2.6m Drop of 200kg
- 15kN Static Load
- *Note – only 8 rivets used in this test as adverse test*





NETHERLANDS
Azewijnseweg 12 SF
4214 KC
Vuren

UK
Riverside, Mountbatten Way
Congleton
Cheshire, CW12 1DY

t | + 31(0) 183 820 280

t | + 44 (0) 1260 217 437

info@bettersafeinternational.com
www.bettersafeinternational.com