

RA-2006
Declaration of
Conformity

October 2011
Revision 1.0

Declaration of Conformity

June 2016

Bettersafe International BV declare that the:

RA-2006 Anchor D-Ring

As tested by:

SATRA Technology Centre,
Wyndham Way,
Telford Way,
Kettering,
Northamptonshire,



Passed the following tests:

EN795

Under the reference

(SATRA) SPC0197713/1137/3 Type A 18th October 2011

CLAUSE / PROPERTY	PASS / FAIL
4.2 General requirements	PASS
4.3.1 Static strength	PASS
4.3.1 Dynamic performance	PASS



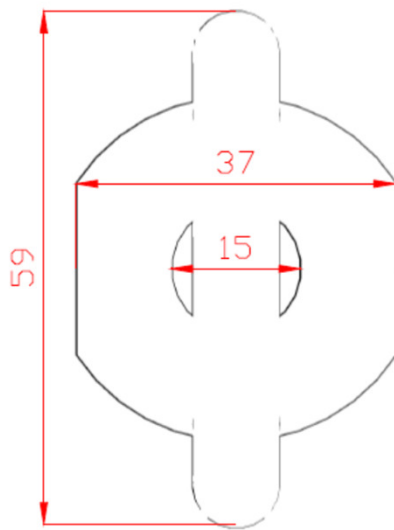
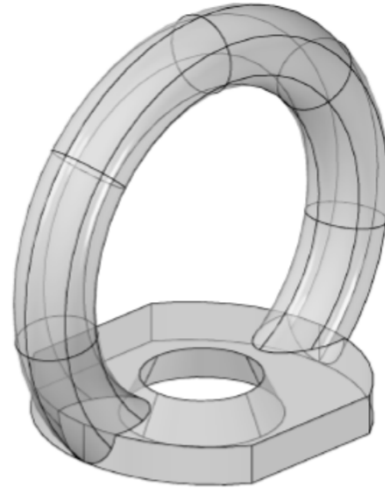
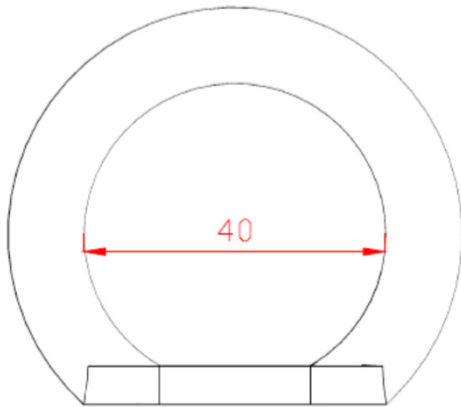
Figure 1 – Anchor device described as “Concrete anchor”

Steve Jervis
Development Director

RA-2006

End Anchor Ring

For use with every system the End Anchor Ring provides the termination for the system and attachment for the tensioner and fork units, or as the anchor on a single anchorage post.



Attach to an End/Corner post when used with Roof Angel Top Fix, whether a system termination or single anchor.

Material	316 Stainless Steel
Breaking Strength	37kN
Testing Standard	Component for EN795:2012 Type C & A
Unit Weight	0.100kg
Drawing Revision Date	01-07-2016



UK
Riverside
Mountbatten Way
Congleton
Cheshire
CW12 1DY
United Kingdom

† | + 44 (0) 1260 217 437

NETHERLANDS
Azewijnseweg 12 SF
4214 KC Vuren
The Netherlands

† | + 31 (0) 183 820 280

info@bettersafeinternational.com
www.bettersafeinternational.com

