



Roof Angel[™]

Standing Seam Roofing Specification and Declaration of Conformity

October 2018
Revision 1.1

Declaration of Conformity

Bettersafe International BV declare that the:

Roof Angel Horizontal Lifeline System
Roof Angel Single Anchor Post

As tested by:

SATRA Technology Centre,
Wyndham Way,
Telford Way,
Kettering,
Northamptonshire,

Passed the following tests:

EN795:2012 Type A
EN795:2012 Type C
CEN/TS 16415:2013 for 3 users

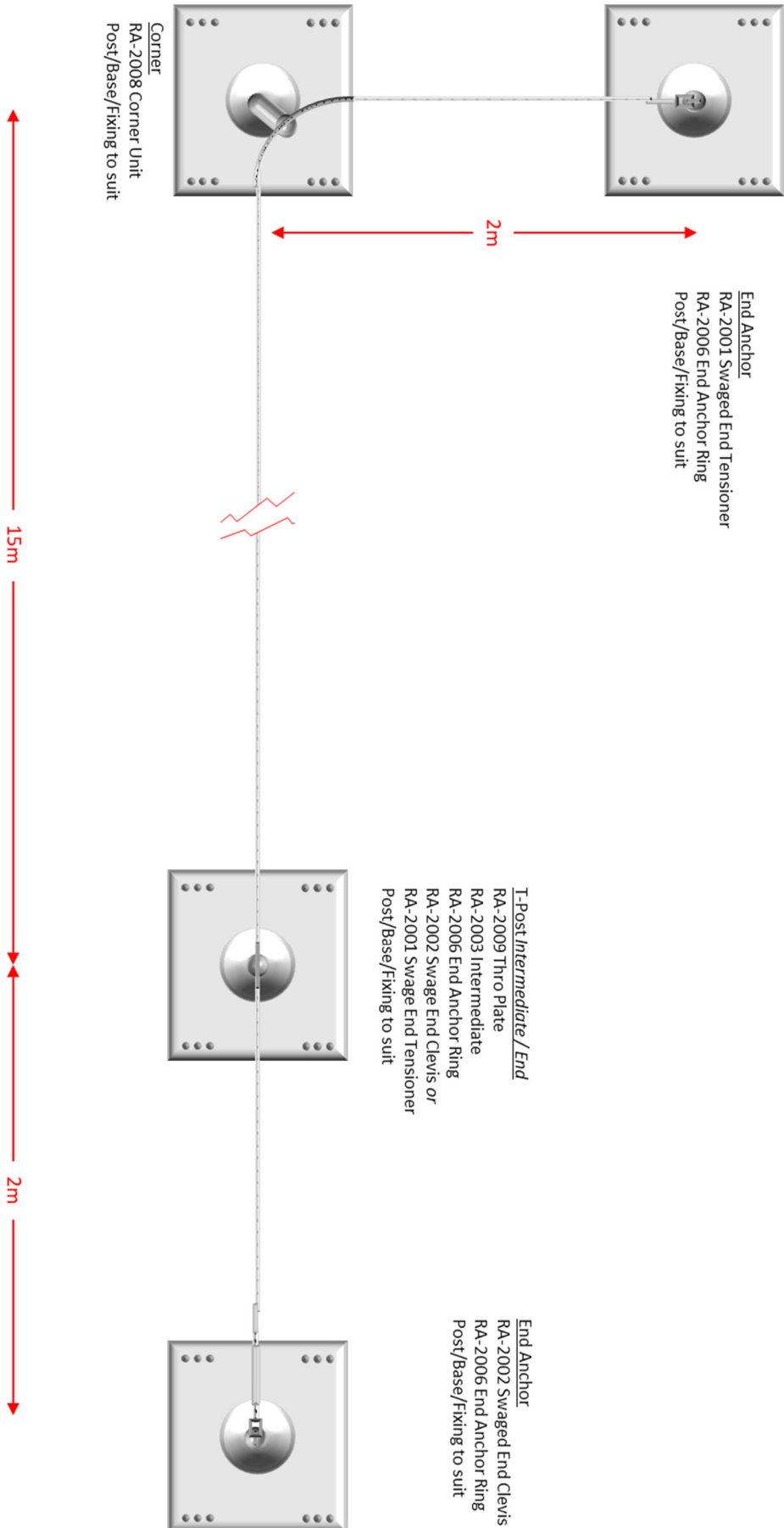
Passed testing on the following roof sheet types:

Standing Seam (400 mm)
Standing Seam (300 mm)
Standing Seam (500 mm)

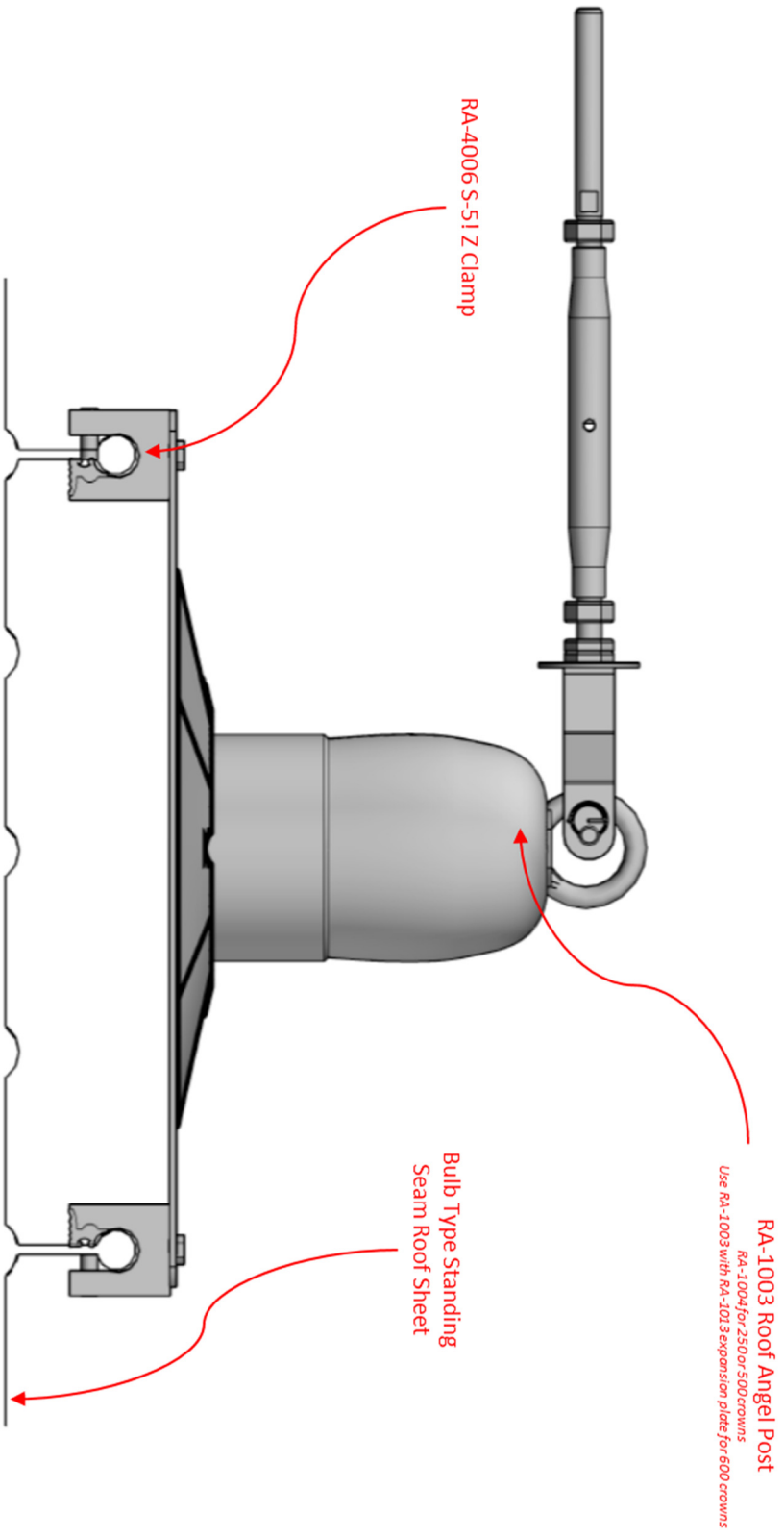


Steve Jervis
Development Director

System Layout to EN795 Test Requirements



Clamp Fix to Bulb Type Standing Seam Sheet





UK
Riverside
Mountbatten Way
Congleton
Cheshire
CW12 1DY
United Kingdom

† | + 44 (0) 1260 217 437

NETHERLANDS
Azewijnseweg 12 SF
4214 KC Vuren
The Netherlands

† | + 31(0) 183 820 280

info@bettersafeinternational.com
www.bettersafeinternational.com

